

## UNIVERSAL HYDRAULIC OIL COOLER

# MULCH COOL

### Universal hydraulic oil cooler for skid steers.

The FAE Hydraulic Roof Mounted Oil Cooler with the heavy-duty protective housing was designed to minimize a chance of equipment overheating. Once installed on your machine, this cooler can drastically increase your productivity in many applications, particularly in hot environments.

It features: a reversible fan to avoid material build-up or clogging; gradual start-up speed to minimize stress on the electric system and maintain consistent cooling temperature; the electrical controllers start the fans at 60°C and turns them off when oil temperature reaches 50 °C.



49-180 L/min



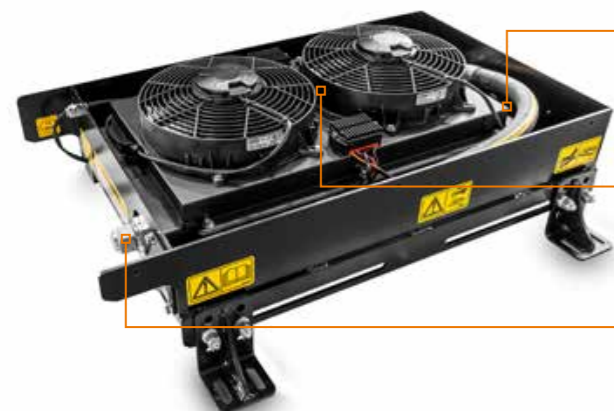
Ø 28 cm fan diameter



**Pressure relief check valve** built-in to allow the oil to bypass the cooler if the pressure builds above 4,5 bar

**2 reversible fans** to avoid material build-up or clogging

**Accessible hydraulic connections**



**4 mounting brackets** for universal mounting

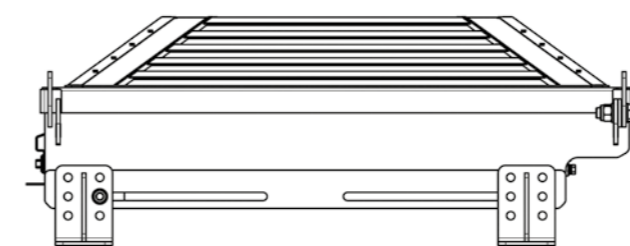
### MODEL

### MULCH COOL

<b>Height</b> (mm)	360
<b>Length</b> (mm)	956
<b>Width</b> (mm)	712
<b>Min flow rate</b> (L/min)	49
<b>Max flow rate</b> (L/min)	180
<b>Weight</b> (kg)	88
<b>Number of fans</b>	2
<b>Fans' diameter</b> (mm)	280
<b>Max cooling capacity</b> (kW)	13

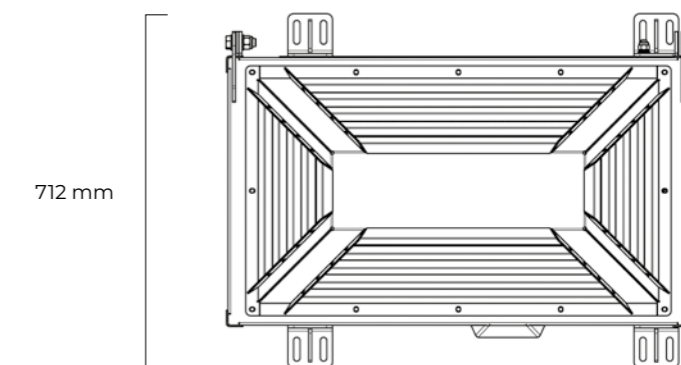
*Data refers to machine as standard. The technical data in this catalog may be altered without prior notice. Mounting hardware and external plumbing not included.*

### DIMENSIONS



956 mm

360 mm



712 mm

### ADVANTAGES



Colder hydraulic oil working temperatures



Tiltable lid



Universal mounting



Easy access to cleaning tray